

Hydrostatic level transmitter, PVDF BAMONIV



- Level measurement on aggressive fluids
- Measuring cell: ceramic (96 %)
- Accuracy: 0.35 % F.S.
- Ranges from 0 ... 0.6 m up to 0 ... 10 m WC
- Fitting 1 1/2" in PVDF

APPLICATIONS

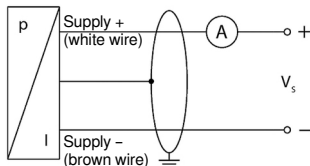
- Diesel, lubricating oils
- Viscous, pasty liquids
- Corrosive, acids and bases liquids

DESCRIPTION

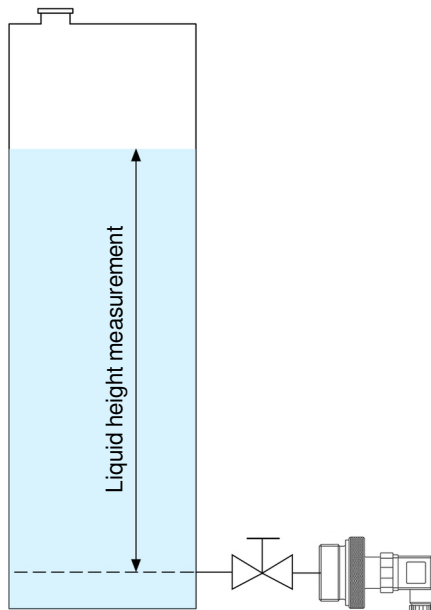
BAMONIV is designed for level measurement on aggressive, viscous or contaminated liquids in non-pressurized tanks.

It operates according to the principle of hydrostatic pressure measurement. The pressure on the sensor increases proportionally with the height of liquid. BAMONIV integrates ceramic cell and delivers a 4-20 mA signal proportional to the level.

To be mounted at the bottom of a non-pressurized tank; BAMONIV to be ordered or with a connector or with a cable output (PVC cable).



Electrical diagram



TECHNICAL FEATURES

Measuring ranges	0... 0.6 / ... / 0 ... 10 m WC
Long term stability	≤ ± 0,1 % FS / year
Accuracy	≤ 0.35 % FS

Materials:	
Measuring cell	Ceramic Al ₂ O ₃ 96 %
Fitting	PVDF
Fitting type	BSP 1 1/2" - DIN 3852

Seal	FPM
Connection	Or on a connector ISO 4400, or with cable output (2 m long PVC cable)
Power supply	9 ... 32 V DC
Output signal	4...20 mA ; 2-wire
Load	At 20 mA, R _{max} . = [(Vs - Vs min) / 0,02]
Electrical protections	Reverse polarity, overload, short circuit
Emissions & interferences	In conformity with EN 61326
Response time	≤ 7 s
Overpressure	Less than 8 times the FS
Liquid temperature	-40 ... +125 °C
Temperature compensation	-20 ... + 80 °C
Temperature incidence	± 0.1 % FS / 10 K
Ambient temperature	-40 ... + 85 °C
Storage temperature	-40 ... +100 °C
Mass	About 200 g

EC Conformity: The instrument meets the legal requirements of the current European Directives

For the electrical connection, a shielded cable is recommended.

BAMO INTERNATIONAL

22, Rue de la Voie des Bans · Z.I. de la gare · 95100 ARGENTEUIL

Tel +33 (0)1 30 25 83 20 Web www.bamo.eu

Fax +33 (0)1 34 10 16 05 E-mail export@bamo.fr

Hydrostatic level transmitter,
PVDF
BAMONIV

19-02-2020

D-591.02-EN-AD

NIV

591-02/1

CODE NUMBERS AND REFERENCES

Code	Description
591 400	BAMONIV, connector BSP 1 1/2"
591 500	BAMONIV, cable output; PVC cable, 2 m long

Reference according the measuring scale

Model

Connection type

- 4** Connector ISO 4400
- 5** Cable output, 2 m

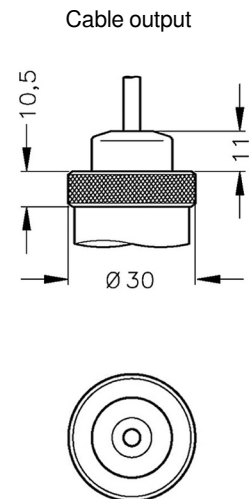
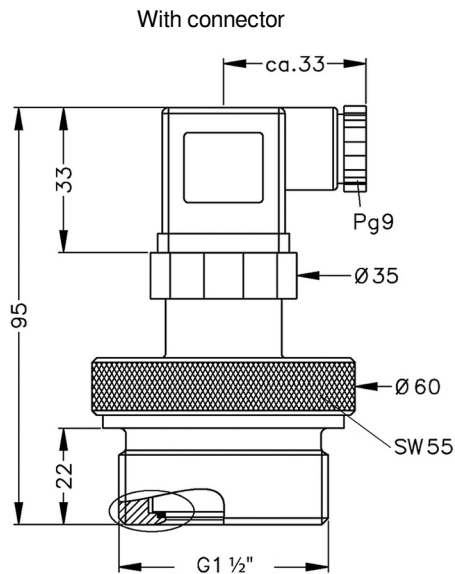
Measuring scales (Water Column)

- 01** 0... 0.06 bar / 0 ... 0.6 m WC
- 02** 0... 0.10 bar / 0 ... 1.0 m WC
- 03** 0... 0.16 bar / 0 ... 1.6 m WC
- 04** 0... 0.25 bar / 0 ... 2.5 m WC
- 05** 0... 0.40 bar / 0 ... 4.0 m WC
- 06** 0... 0.60 bar / 0 ... 6.0 m WC
- 07** 0... 1.0 bar / 0 ... 10 m WC

BAMONIV 4 03

DIMENSIONS

Assembly: hand tightening



BAMO INTERNATIONAL

22, Rue de la Voie des Bans · Z.I. de la gare · 95100 ARGENTEUIL

Tel +33 (0)1 30 25 83 20 Web www.bamo.eu

Fax +33 (0)1 34 10 16 05 E-mail export@bamo.fr

Hydrostatic level transmitter,
PVDF
BAMONIV

19-02-2020

D-591.02-EN-AD

NIV

591-02/2