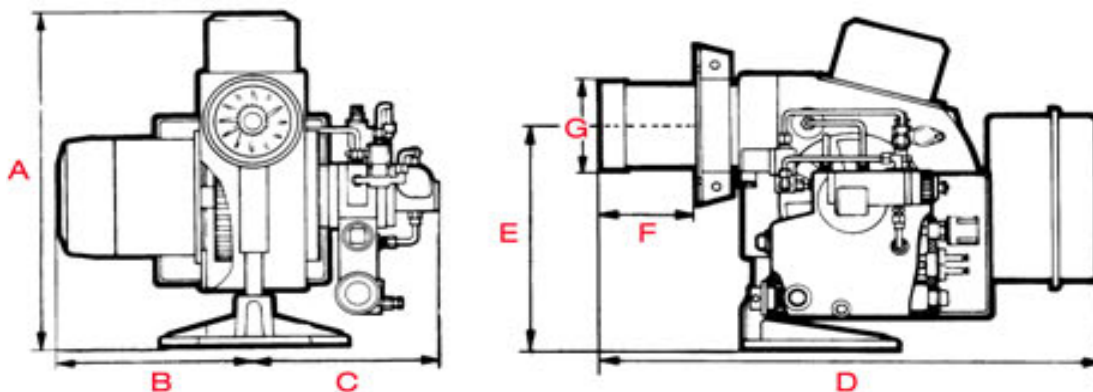


## Lage druk oliebranders



Model	Min kg/h	Max kg/h	Motor		Voeding (V/Hz)
			Min Cap (kW)	Max Cap (kW)	
AMR BR 8	3	9	34	104	370 230/50
AMR BR 14	4	15	46	174	370 230/50
AMR BR 40	15	40	174	464	1100 230/400 - 50 tri.
EMU 80	30	80	349	928	2200 230/400 - 50 tri.
EMU 120	40	110	465	1276	3000 230/400 - 50 tri.



Model	A (mm)	B (mm)	C (mm)	D (mm)	E (mm)	F (mm)	G (mm)
AMR BR 8	495	200	280	550	290-350	40-130	114
AMR BR 14	495	200	280	550	290-350	40-130	114
AMR BR 40	550	350	310	730	395-415	40-130	165
EMU 80	510	400	400	910	410-460	340	200
EMU 120	510	420	410	910	400-460	340	200